

MODEL NUMBER

5695xxx

UNIT DESCRIPTION

10/20 GALLON AQUARIUM STAND

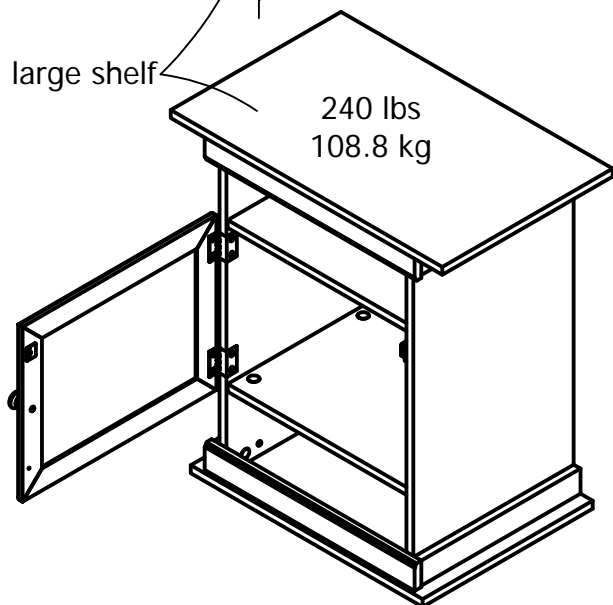
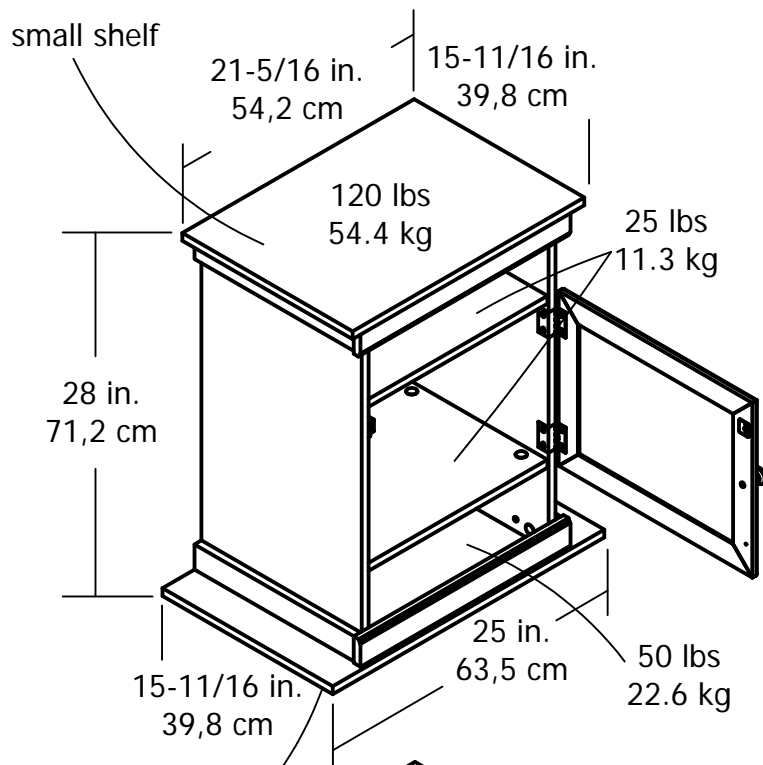
ASSEMBLED DIMENSIONS (H X W X D)

28" H x 25" W x 15-11/16" D

71.2cm H x 63.5cm W x 39.8 cm D

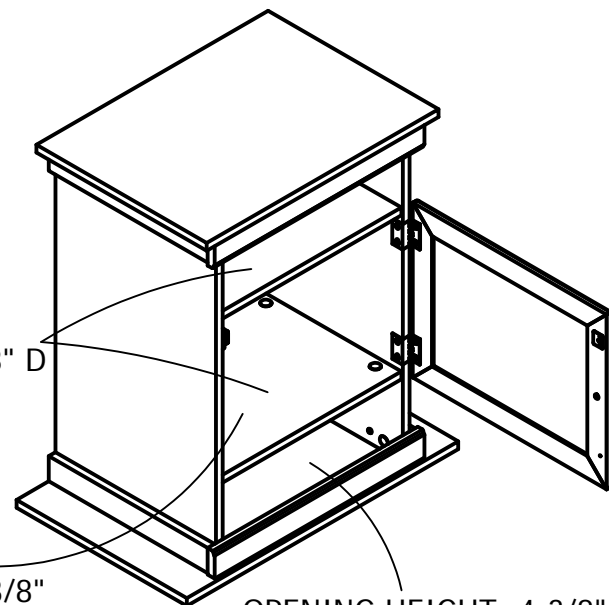
UNIT WEIGHT: 42 LBS.

MAXIMUM AQUARIUM SIZES:  
10 GALLON ON SMALL SHELF  
20 GALLON ON LARGE SHELF



SHELF SIZE:  
16-9/16" W x 13-7/8" D

OPENING HEIGHT  
BEHIND DOOR: 12-3/8"



OPENING HEIGHT: 4-3/8"  
HEIGHT BEHIND FRONT MOLDING: 6-1/2"  
(SAME ON TOP & BOTTOM)

UNIT CAN BE POSITIONED WITH THE LARGE OR SMALL SHELF AS THE TOP SHELF.  
DOOR CAN BE MOUNTED ON BOTH SIDES OF THE CABINET.